

# FLUID POWER WITHOUT MOVING PARTS

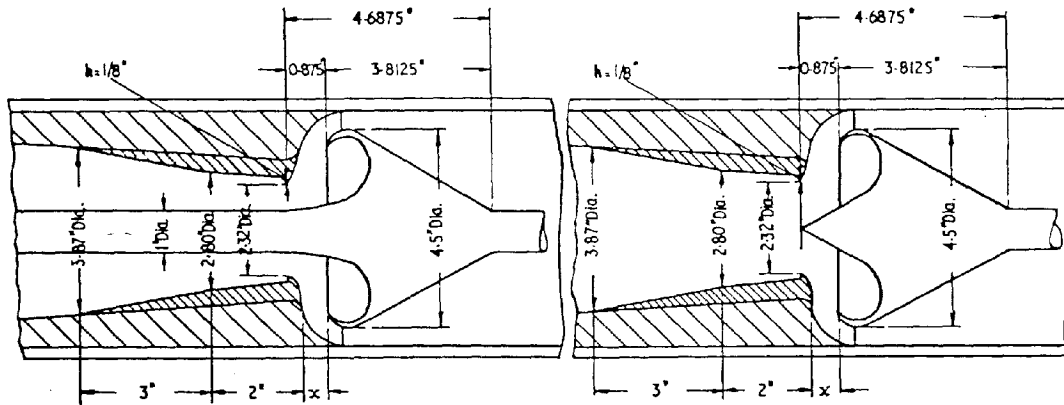


FIG. 15a. MODIFICATION 1  
REDUCED THROAT

FIG. 15b. MODIFICATION 2  
CENTRE BAR REMOVED

## CONTENTS

1. Steam-jet Refrigeration, water as a refrigerant..... 1
2. Heat pipes: passive heat mover takes action..... 4
3. The Coanda Effect: hovering craft lifted by aerodynamic jet orifices,  
not jet engines; articles and vehicular patents..... 7
4. Fluid diodes: check valves without parts ..... 59
5. Pulsed combustors: why are they more efficient?..... 154
6. Vortex tube, the first actual device ever referred to as "Maxwell's Demon,"  
converts compressed air into a hot output and cold output from separate  
orifices at the same time ..... 163